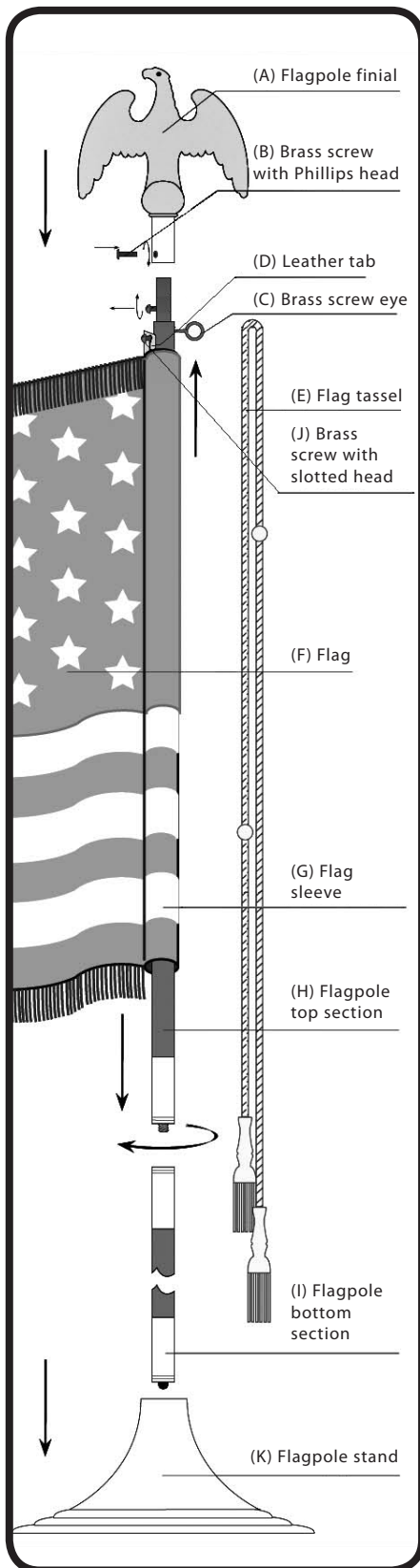


INSTRUCTIONS

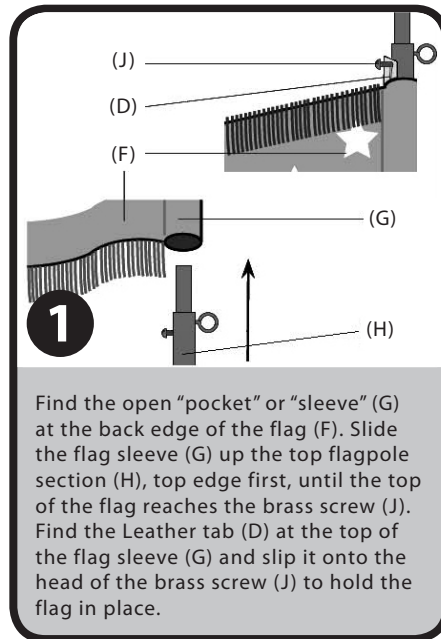
MSO Indoor Flag Set



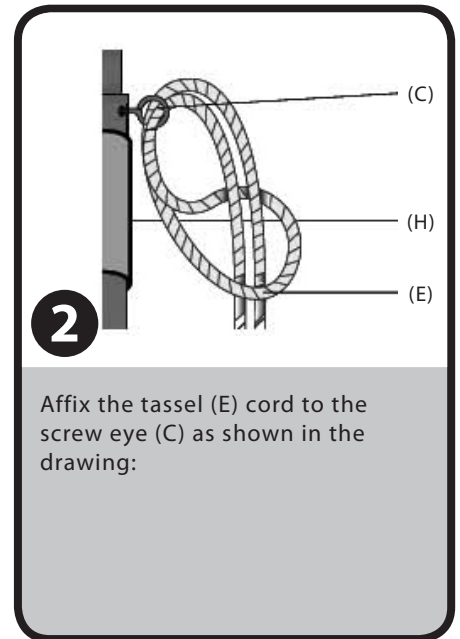
Your flag set could arrive in one or two separate packages depending on the size, which will include: (A) Flagpole finial (Eagle, for USA flags; Cross, for church flags; Spear); (B) Brass screw with Phillips head; (J) Brass screw with slotted head; (C) Brass screw eye; (E) Flag Tassel; (F) Flag with Sleeve; (H), (I) Two Flagpole Sections; (K) Flagpole Stand (plastic).

**Phillips head screw driver needed for installation (not included)*

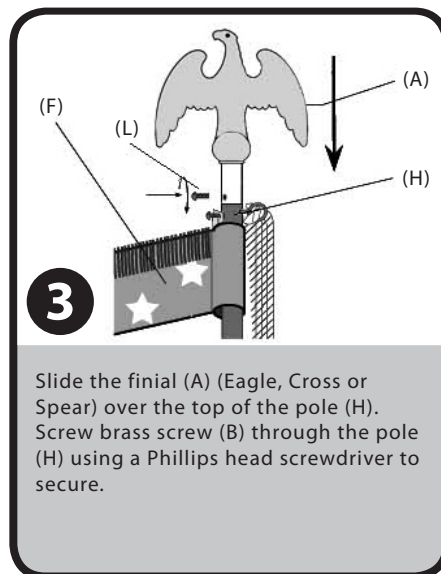
Before starting assembly, you may wish to remove the flag from its box and press it with a warm iron on the lowest setting to remove creases. You may also want to pour sand (available from your local building supply store) into your plastic or brass flagpole stand (K) to give it enough weight to remain stable when the flag set is installed. An opening for sand will be found on the underside of the stand.



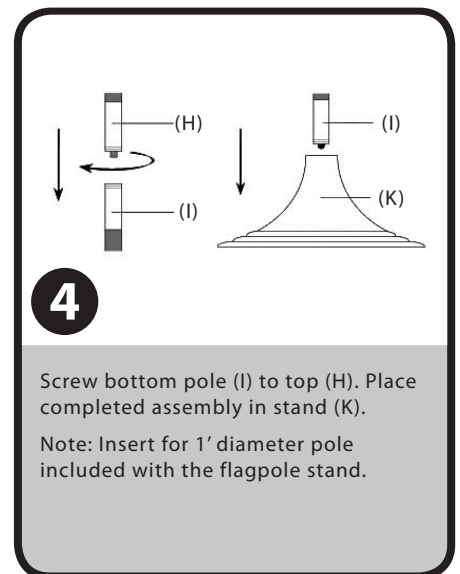
Find the open "pocket" or "sleeve" (G) at the back edge of the flag (F). Slide the flag sleeve (G) up the top flagpole section (H), top edge first, until the top of the flag reaches the brass screw (J). Find the Leather tab (D) at the top of the flag sleeve (G) and slip it onto the head of the brass screw (J) to hold the flag in place.



Affix the tassel (E) cord to the screw eye (C) as shown in the drawing:



Slide the finial (A) (Eagle, Cross or Spear) over the top of the pole (H). Screw brass screw (B) through the pole (H) using a Phillips head screwdriver to secure.



Screw bottom pole (I) to top (H). Place completed assembly in stand (K).

Note: Insert for 1' diameter pole included with the flagpole stand.