



To be used properly, this template must be opened in a vector based graphic program like Adobe Illustrator.

37.4" x 28.7" Round Stretch Table Cover Template (100% Scale)

DTCS-37R

Top Panel Imprint Area: 34.5" x 34.5"

Side Panel Imprint Areas: 21.75" x 25.5"

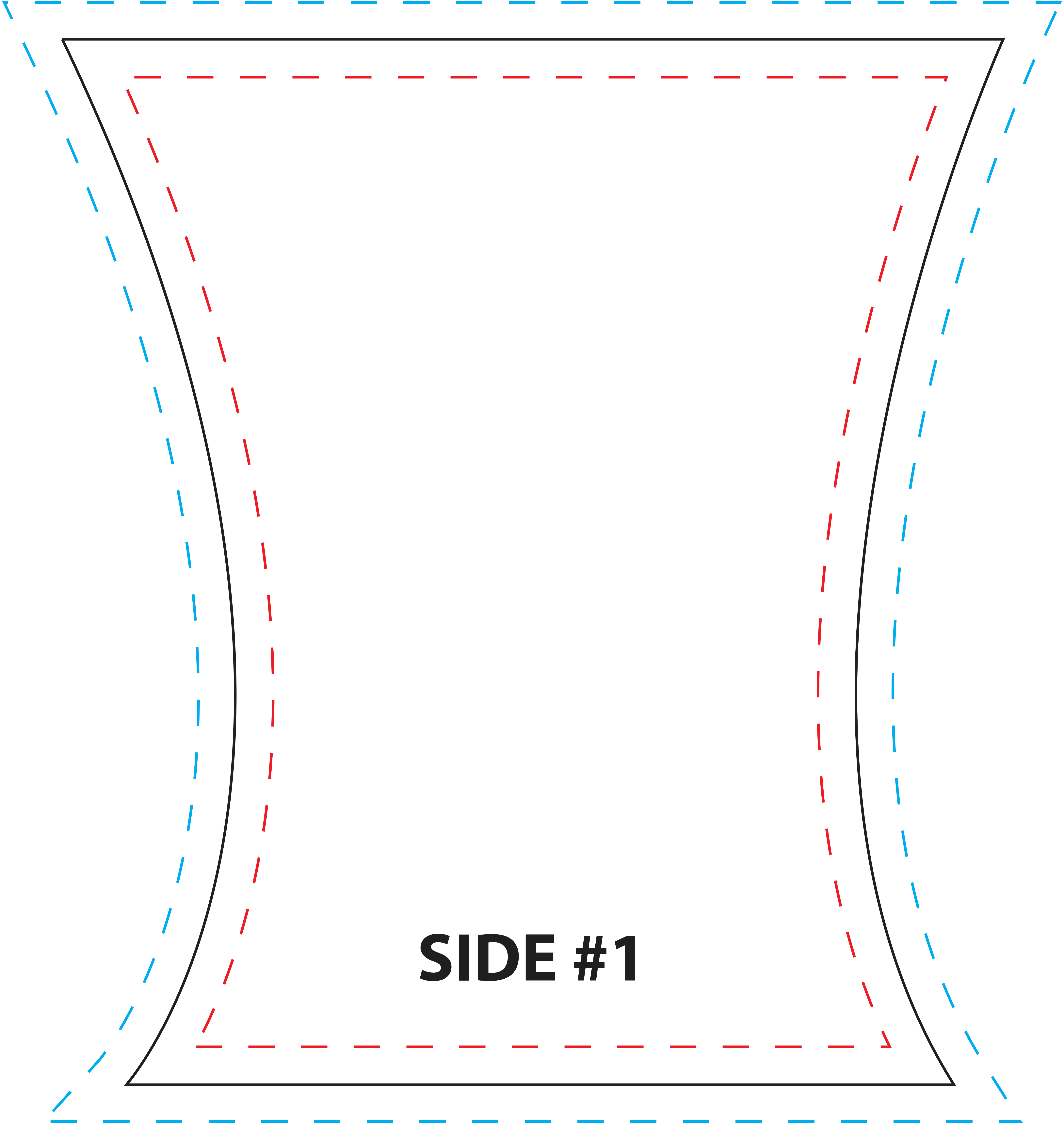
Notes:

- Keep all artwork away from the edge (reflected by the **red dotted line**) of the template
- Any artwork that is intended to run off the edge requires bleed past the edge (reflected by the **blue dotted line**)
- **Use ONLY Pantone Solid Coated colors**
- **Convert all text to outlines**

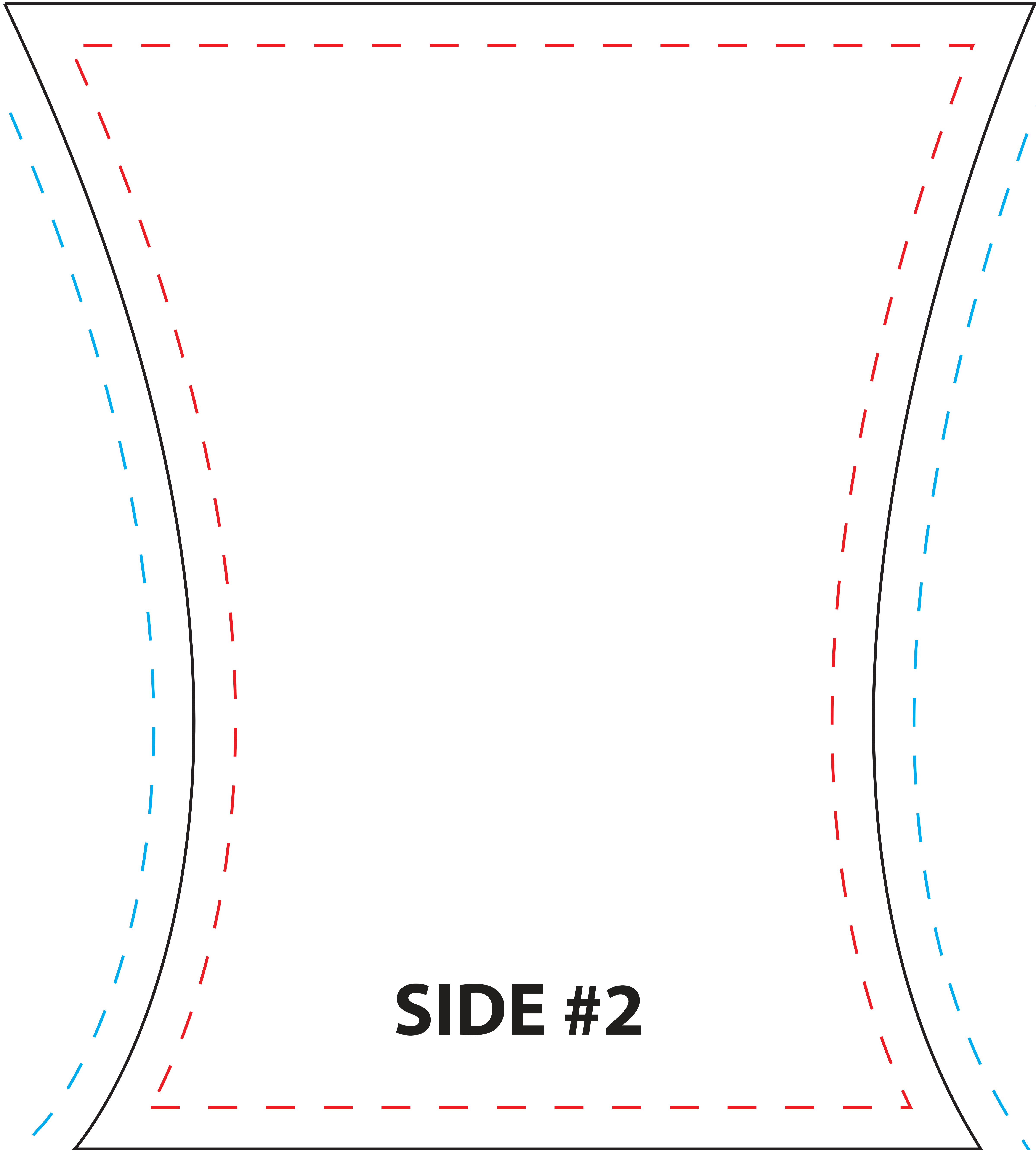
Imprint Area

Bleed Area

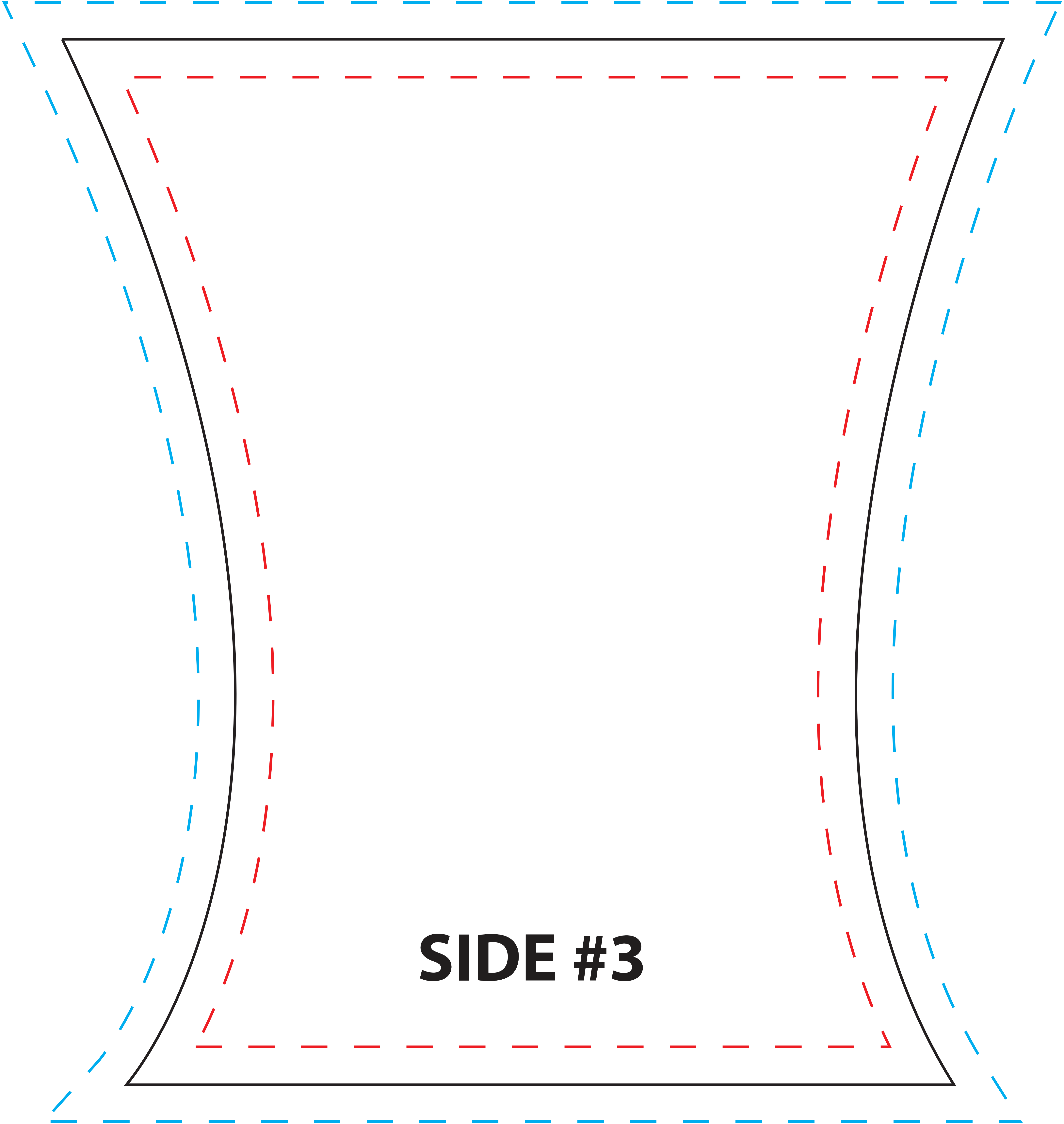
**TOP**



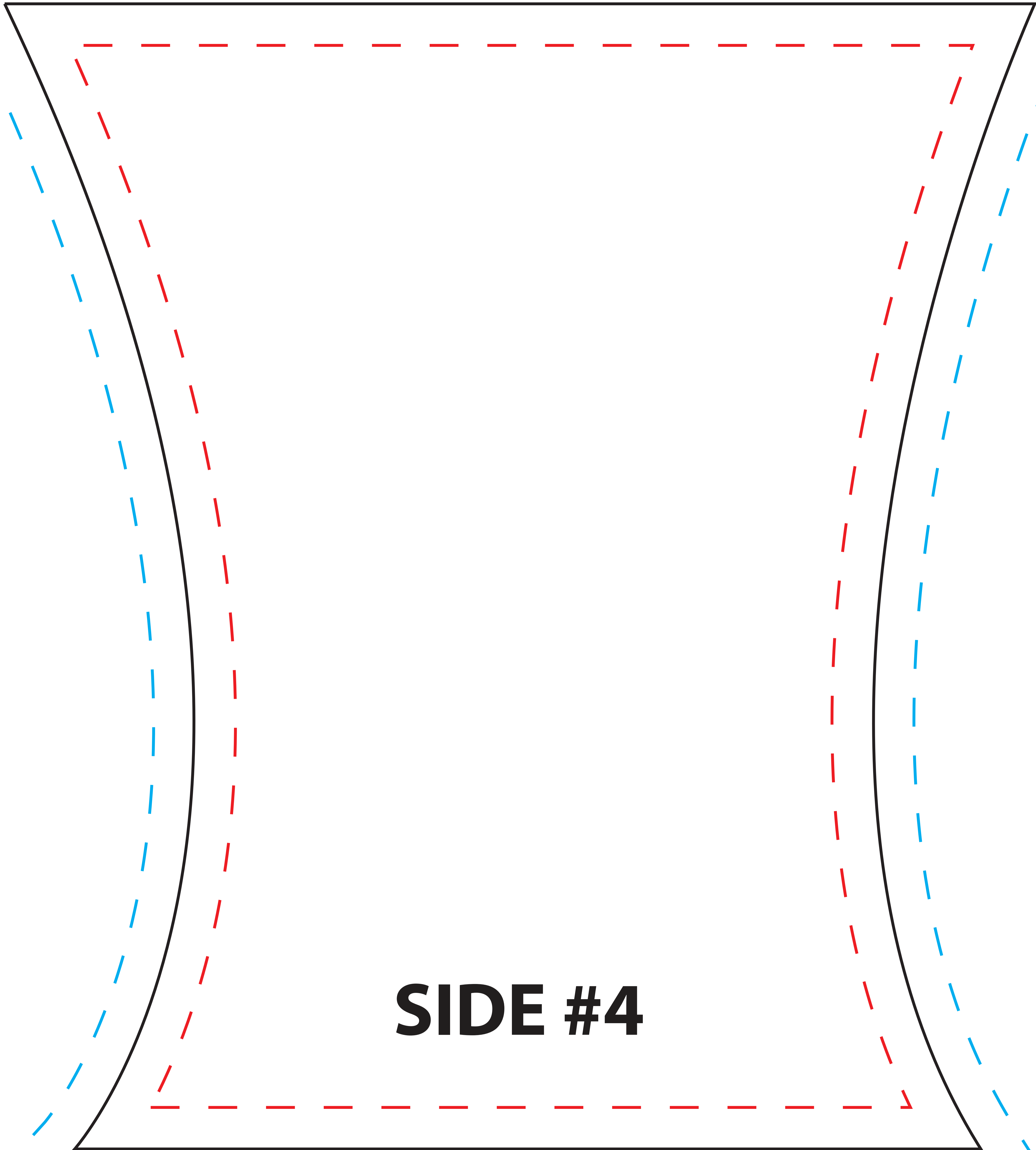
**SIDE #1**



**SIDE #2**



**SIDE #3**



**SIDE #4**