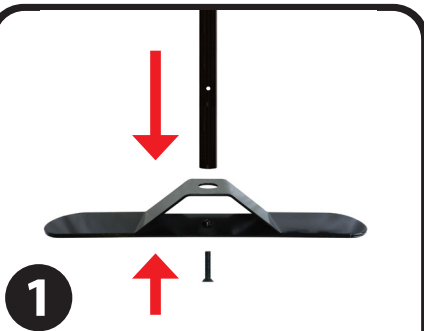


INSTRUCTIONS

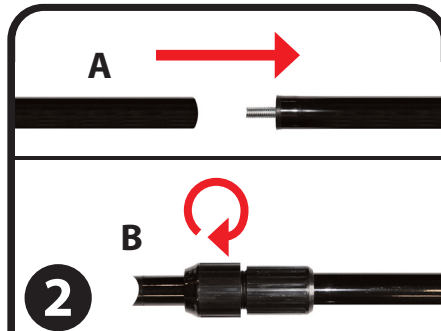
8' x 8' Backdrop Banner



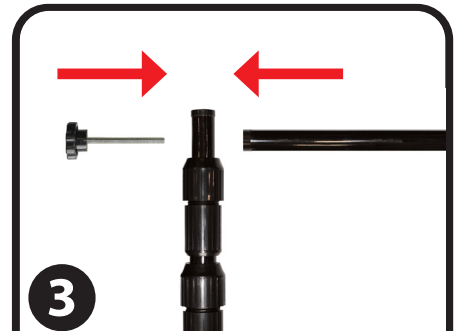
Includes:
 Winged Bolt (x4)
 Base Allen Screw (x2)
 Allen Wrench
 Foot (x2)
 Short Telescoping Poles w/Flat End (x2)
 Short Telescoping Poles w/Screw End (x2)
 Long Telescoping Poles (x2)
 Graphic



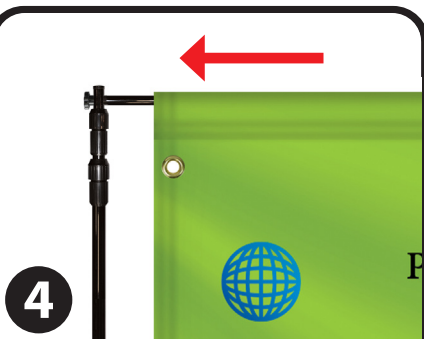
Position one foot next to one long pole. Insert pole into the hole located on the top of the foot. Thread one screw (found in bag with small parts OR pre-threaded in long pole) through the hole in the bottom of the foot and into the pole. Tighten with allen wrench. Stand upright so pole is vertical. Repeat with second foot.



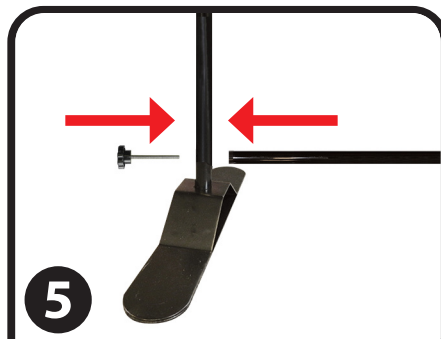
A: Pick up one short pole w/flat end and one short pole w/screw end and screw together. Repeat with remaining short poles.
B: On both assembled poles, twist telescoping joints to loosen and extend poles. At maximum extension, tighten telescoping joints to lock in place.



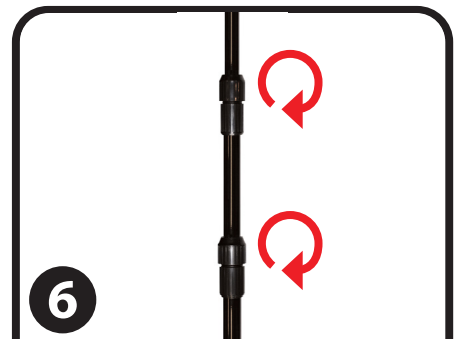
Align contoured end of pole assembled in step #2 to the hole in the top of one vertical pole. Insert winged bolt through the hole and into the threaded hole of the contoured end. Screw winged bolt until tight.
*****Do NOT over-tighten winged bolts or UNIT WILL FAIL.**



Before attaching the top pole to the second vertical pole, slide the top pole sleeve onto the pole.
 Attach top pole to the second vertical pole using a winged bolt.
 If contour is not properly aligned, twist telescoping joint to loosen, align contour, and re-tighten joint.



Pick up second pole assembled in step #2 and align contoured end to the hole in the bottom of one vertical pole.
 Repeat steps #3 and #4.



To make graphic taut:
 On both vertical bars, turn top telescoping joint counterclockwise and raise top bar. At maximum extension, twist telescoping joints clockwise to lock in place. Repeat with bottom telescoping joints.

INSTRUCTIONS

X-Banner



Includes:
Body Piece
Arms (x2)

1



Place the X-Banner body piece upright by extending the feet outward. Adjust the height of the telescoping pole on the X-Banner body piece by flipping the switch to the center position. *Having the switch turned to the left or right position will lock the height of the telescoping pole.*

2



Take the two arms with hooks and attach them to the center piece at the top of the telescoping pole on the X-Banner body piece.

3



Using your banner with grommets, attach each of the four corners to the X-Banner hooks, starting with the top first.

4



In order to properly display your banner on the X-Banner body piece, raise the telescoping pole until taut.

