

INSTRUCTIONS

6.5' x 6.5' Canopy Tent with Full Wall and Half Walls



Includes: Tent Frame
Truss Bar
Half Wall Poles (4)
Half Wall Clamps (4)
Carrying Case with Wheels
Graphics: Canopy, Full Wall, Half Wall (2)
Stake and Rope Kit



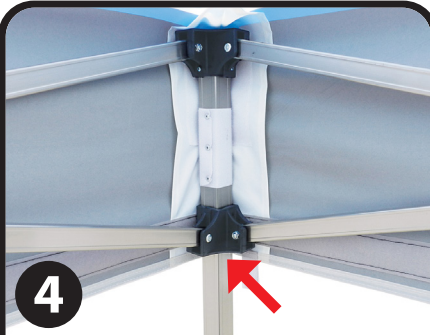
1 Insert truss bar into slot at center of frame. Place tent frame in center of final place. Remove strap and have two people stand on opposite sides, grasping the outer legs. Lift off of ground and step backwards, stopping when about 1/4 expanded.



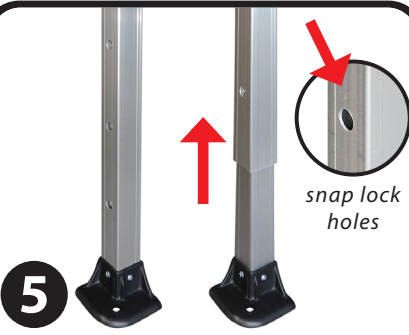
2 Place tent graphic over frame. DO NOT attach the fastener in the corners.



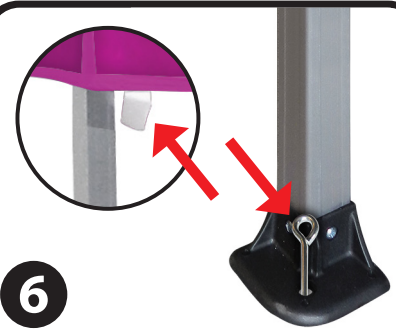
3 Expand the frame out fully by having each person stand on opposite sides, grasping the outer legs, lift up and step backwards at the same time until tent is fully opened.



4 Engage the auto slider at each corner by pushing up with one hand while holding down top of leg with the other hand. Snap button will engage in snap lock holes. Repeat on all other legs. Attach the fastener in the corners of the graphic.



5 Lift two adjacent outer legs, push foot down to expose inner legs until you reach the snap locks. Repeat on all legs. Raise or level the tent using adjacent holes found near bottom of each outer leg. **NOTE:** Be sure all legs are set to the same snap lock holes.



6 **If added support is desired (on soft surfaces):** Thread rope through a sewn-in tab of the canopy down to the ground stake below. **NOTE:** If using rope in this manner, it is recommended all four corners be staked. Rope will need to be divided to do this.

IMPORTANT:

Windy Conditions - Stake or use weight bags.
Heavy Wind - Take tent down.
Wet Fabric - Let tent dry before closing.
Storage - Store in case when not in use.
Rain - Do not leave shelter unattended.

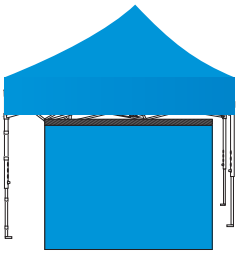


Carrying Case: When inserting unassembled frame into carrying case, start with top of frame with the feet pointing toward zipper end of the case



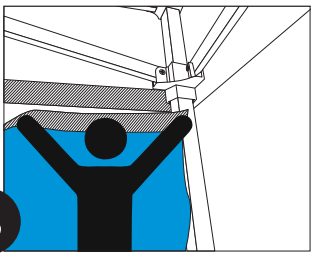
This product is for outdoor promotional use only and should not be left out in extreme weather conditions. Please use common sense guidelines and do not display this product outdoors when extreme winds or storms may be present.

Unfinished edges of aluminum may be sharp, please take care when assembling.



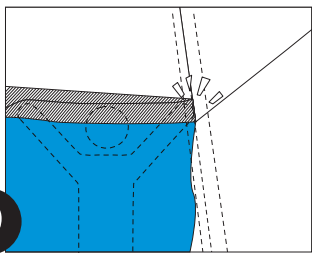
7

Pick up the full wall.



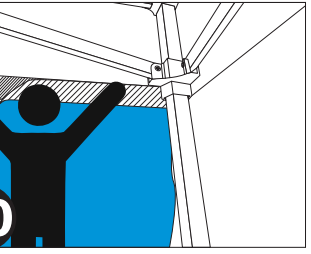
8

Match the fastener of the full wall with the canopy.



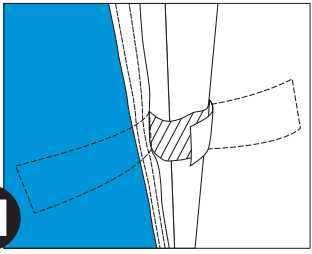
9

Attach the fastener on the edge of the full wall to the fastener on the canopy.



10

Continue attaching the fastener all the way to the end until the full wall is totally adhered to the canopy.



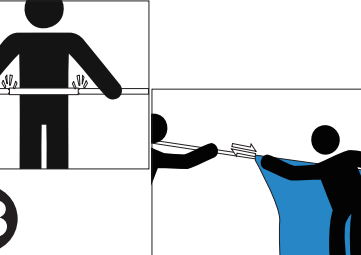
11

Attach the fastener around each leg on either side of the full wall.



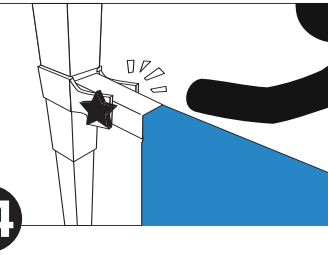
12

If your tent has multiple full walls, attach remaining full walls following the same instructions (steps 7-11).



13

Connect two half wall poles until they snap together. Slide the assembled half wall pole through the pole sleeve of the half wall.




14

Place first clamp on leg. Insert half wall pole into clamp. Slide thumbscrew through clamp and pole into the hex nut. **Do not over tighten.** Attach second clamp on connecting leg.



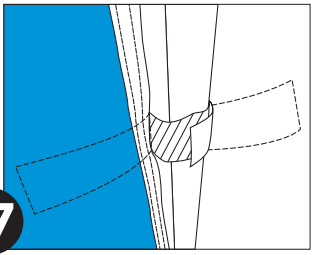
15

Align bar to be parallel with the ground and use snap locks to pull out exterior bars to reach clamp. Secure with thumbscrew and hex nut.



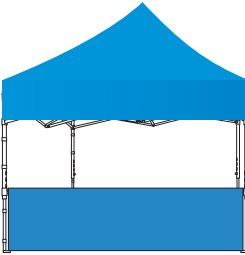
16

Raise and balance to make half wall straight. Tighten both sets of clamps to hold the wall in place.



17

Attach the fastener around each leg on either side of the half wall.



18

Connect the second half wall following the same instructions (steps 14-17).